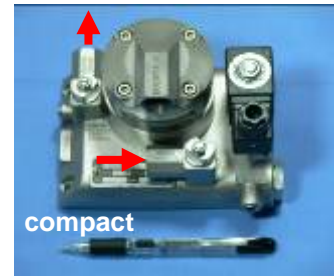
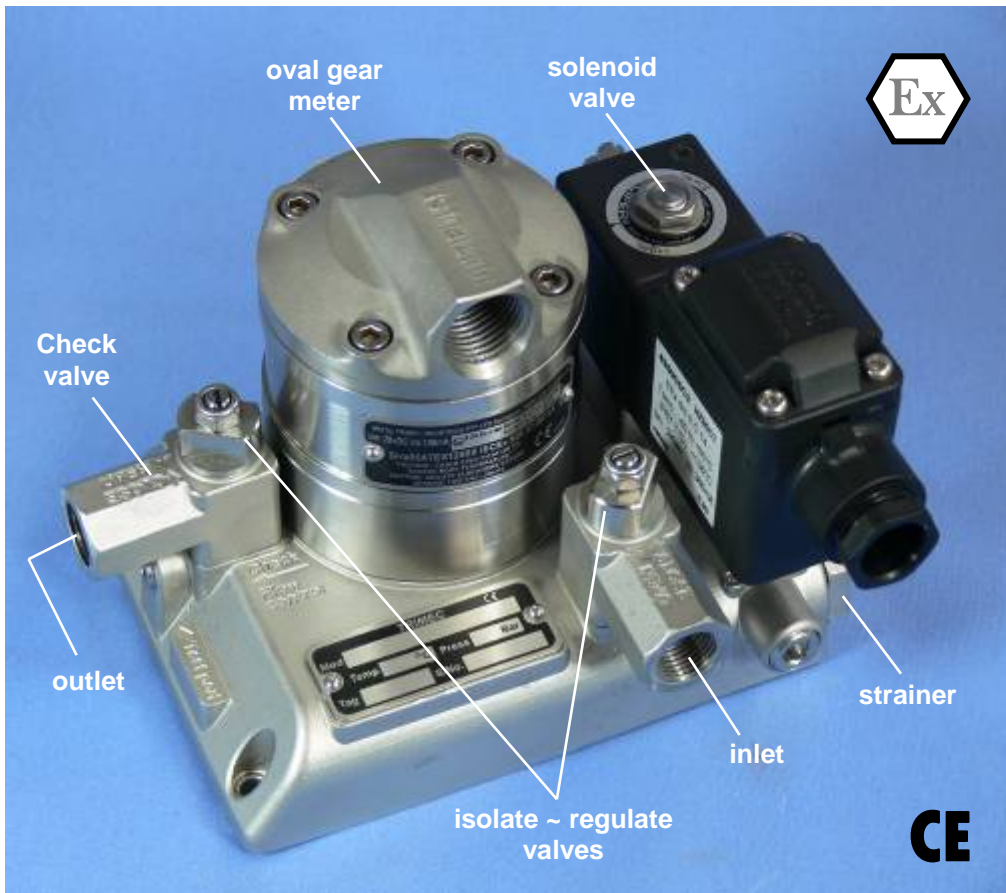
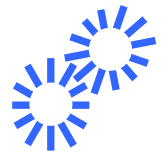


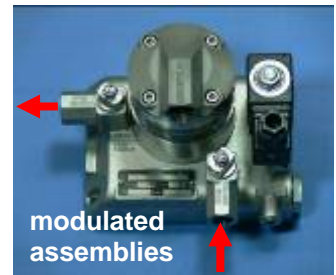
AIM block (Additive Injection Manifold)



compact



3 port positions



modulated assemblies

AIM block is a compact all stainless steel manifold assembly with isolating, flow regulating & check valves, a fine mesh strainer, solenoid valve & a precision oval gear flowmeter. Inlet & outlet elbows can be arranged in three orientations providing installation flexibility. All assemblies shown are modular to the manifold & may be quickly changed in-situ.

AIM block will work with any controller or TAS system, serving as a composite slave assembly for the accurate blending of fuel additives to fuels at loading facilities, stationary & mobile transfer units within the petroleum industry worldwide.

Features / Benefits

- Compact stainless steel design with stainless gears
- All valve assemblies & the meter are detachable
- Modular process connections (directional)
- High accuracy & repeatability ($\pm 0.5\%$ & better)
- Simple to install, easy to service in situ
- ATEX / IECEx approved Explosionproof electrics
- Quadrature pulse output option
- see also *Multipulse* & *Maxipulse* data sheets for other size meters for Gasolene, Diesel fuel, Ethanol blends & Bio-fuels.

Applications include :

AIM accurately injects small amounts of modifying additives to base product. Additives include lead replacements, Dyes & Markers, Denaturants, Detergents, Odorizing, Antifreeze, Anti-corrosion, Anti-detonating, Anti-static, Anti-icing, Anti-foaming, Emulsifiers and performance enhancing agents.

P.E.D. 97/23/EC
Patents applicable



Quality
Endorsed
Company

TRIMEC INDUSTRIES
Factory : 1/19 Northumberland Road,
Caringbah NSW 2229. Sydney Australia
Ph. +612 9540 4433. Fax. +612 9525 9411
email: sales@trimecind.com.au
www.trimecind.com

TRIMEC
INDUSTRIES

Specifications

Model prefix :	AIM004	AIM006	AIM008
Process connections	3/8"NPT elbows, 3 x 90° orientation positions		
Flow range - litres / min (US gal./min)	0.01 ~ 1.0 (0.002 ~ 0.27)	0.03 ~ 1.66 (0.008 ~ 0.44)	0.25 ~ 10 (0.07 ~ 2.65)
Accuracy @ 3cp	±0.5% o.r.		
Repeatability	typically ± 0.25%		
Temperature range			
non Exd installations	-20°C ~ +100°C (-4°F ~ +212°F)		
Exd installations	-20°C ~ +65°C (-4°F ~ +150°F)		
Maximum pressure			
6~110Vdc solenoid coils	10 bar (147 PSIG)		
108~240Vac solenoid coils	20 bar (290 PSIG)		
Protection class			
Flowmeter	IP66/67 (NEMA4X), Exd IIB T6		
Solenoid valve	IP66/67 (NEMA4X), EEx dm IIC T4		
Strainer element	75 micron (200 mesh) minimum		
Electrical			
Output pulse resolution	pulses / litre (pulses / US gallon) - nominal		
Reed switch	2890 (10940)	2100 (7950)	355 (1345)
Hall effect	2890 (10940)	2100 (7950)	710 (2690)
** Reed switch output	30Vdc x 200mA max.		
Hall effect output (NPN)	3 wire open collector, 5~24Vdc max., 20mA max.		
Optional			
Quadrature pulse output	dual Hall Effect phased outputs		

* Max. flow is to be reduced as viscosity increases, max. press. drop 100Kpa. (15 psi)

** Maximum thermal shock 10°C (50°F) / min. applies to the reed switch

Model coding

AIM004	0.01 ~ 1.0 L/min (0.002 ~ 0.27 GPM)
AIM006	0.03 ~ 1.66 L/min (0.008 ~ 0.44 GPM)
AIM008	0.25 ~ 10 L/min (0.07 ~ 2.65 GPM)

AIM materials

S *meter, all valves & strainer 316SS, manifold block 303SS

* solenoid valve has a ruby seat to cover all applications

O-ring material

1	Viton (standard)
2	Ethylene Propylene Rubber (EPR)
3	Teflon encapsulated viton
4	Buna-N (Nitrile)

Meter protection approval

0	No approval
1	IEC / ATEX

Cable entry for meter

1	M20 x 1.5mm
2	1/2" NPT

Solenoid valve voltage

0	12Vdc - max. 7 bar (100psi)
1	24Vdc - max. 7 bar (100psi)
2	110Vac - max. 20 bar (300psi)
3	220Vac - max. 20 bar (300psi)
9	Customer nominated

Solenoid valve approval

0	No approval
1	IEC / ATEX

Model No. Example

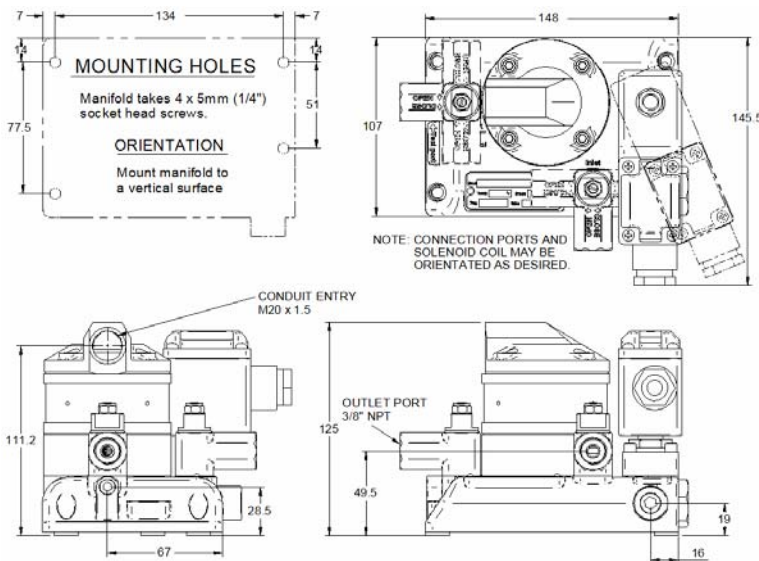
MG006 S 5 1 5 1 - 2 R2

Integral options

0	No options
1	**290kpa (43psig) relief valve
2	Quadrature pulse output
3	Quadrature output + relief valve

**used for re-priming system when additives are being pumped from 200L drums

Overall dimensions



products include : Trimec small, medium & large capacity meters for gasoline, diesel fuel, ethanol, bio-fuels & bio-fuels blends



TRIMEC

Data sheet No. SLAIM000-4907

Other offices :

TRIMEC (EUROPE)
Ph. UK +44 144 441 7880
Fax: +44 144 441 7668
europe@trimecind.com

TRIMEC (NORTH AMERICA)
Ph. USA +1205 378 1050
Fax: +1205 685 3001
customerservice@trimecus.com